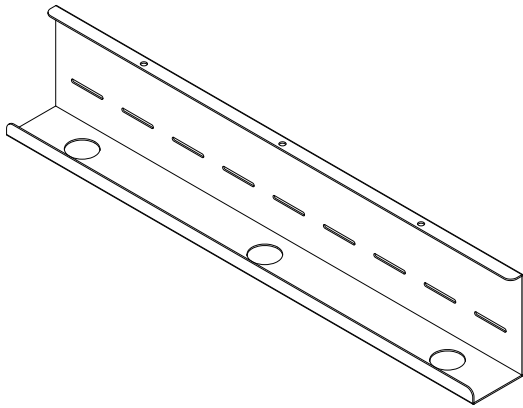


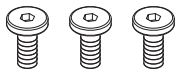
**Parts List**

Please check the amount of screws before installation

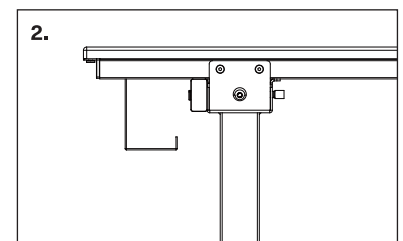
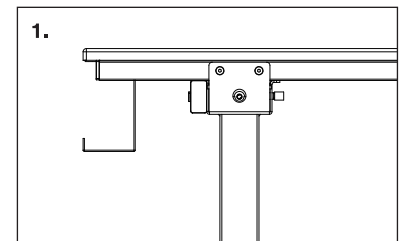
Cable Management Tray x1



M6(15mm) Screw x3



The tray could be attached in 2 different directions as shown in below.

**Manual**

Screw the cable management tray to according holes.

